

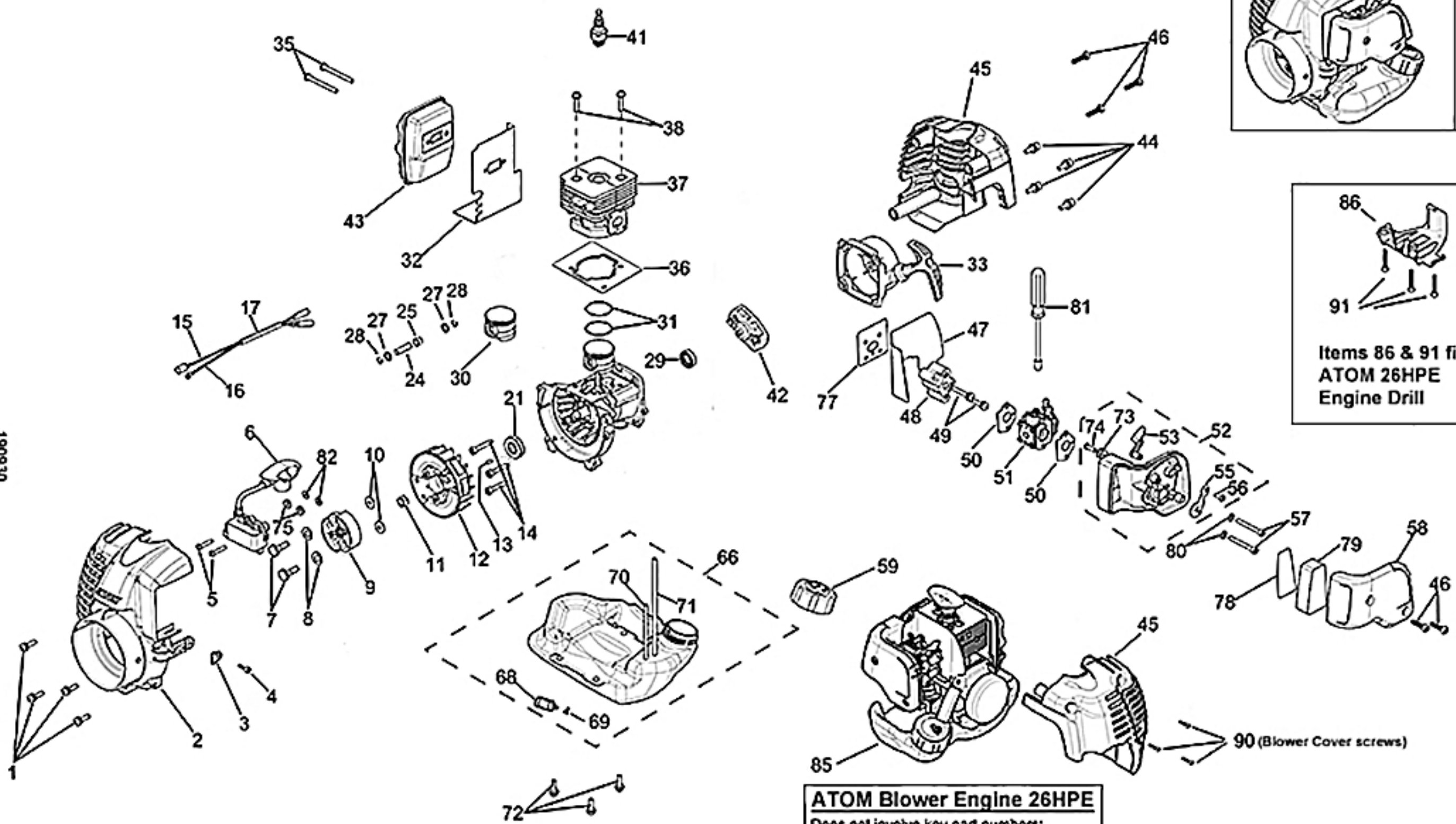
ATOM 26HPE REFERENCE No: 773

**ATOM 26HPE ASSY
FOR EDGERS, TILLERS
& DRILLS**



Items 86 & 91 fit
ATOM 26HPE
Engine Drill

190930



ATOM Blower Engine 26HPE
Does not involve key part numbers:
1, 2, 3, 4, 7, 8, 9, 10, 45, 46, 86, 90 or 91

90 (Blower Cover screws)

21/09/2022

ATOM PRODUCT: ATOM ENGINE 26cc HPE

REF NO: 773

| Key | Part No | Substitute Part No | Description | Key | Part No | Substitute Part No | NLA | Description | Key | Part No | Substitute Part No | Description |
|-----|---------|--------------------|-------------------------|-----|---------|--------------------|-----|-------------------------|-----|---------|--------------------|---------------------------|
| 1 | 63547 | | SCREW & WASHER M5 x 20 | 32 | 65121 | | | GASKET MUFFLER FC4/5 | 68 | 63614 | | FUEL FILTER |
| 2 | 63393RN | | COWL FRONT 26HPE RED | 33 | 64928 | | | RECOIL STARTER 26FC4 | 69 | 63615 | | CLIP-HOSE-STEEL |
| 3 | 63549 | | CLAMP RETAINER | 35 | 63581 | | | SCREW M5 x 50 | 70 | 63616 | | TUBING FUEL |
| 4 | 63550 | | SCREW 13.5 | 36 | 65120 | | | CYLINDER GASKET | 71 | 63617 | | TUBING FUEL |
| 5 | 63551 | | SCREW, M4 x 22 | 37 | 65146 | | | CYLINDER 10 FIN FC4 | 72 | 63618 | | SCREW & WASHER M5x16 |
| 6 | 65147 | | DIGITAL IGNITION V2 | 38 | 63584 | | | SCREW M5 x 22 | 73 | 63619 | | FLANGE PULLEY |
| 7 | 63553 | | BOLT M6 CLUTCH | 41 | 63587 | | | SPARK PLUG | 74 | 63620 | | ST SCREW STEEL |
| 8 | 63554 | | CLUTCH WASH WAVY | 42 | 64929 | | | PAWLS ASSY 52mm OD | 75 | 63621 | | SPACER IGNITION MODULE |
| 9 | 63555A | | CLUTCH ASSY | 43 | 65172 | | | MUFFLER CAT ASSY 26HPE | 77 | 63623 | | GASKET CYLINDER/MANIFOLD |
| 10 | 63556 | | CLUTCH WASHER FLAT | 44 | 63590 | | | ST SCREW & WASHER M5x16 | 78 | 63624 | | MESH METAL |
| 11 | 63557 | | NUT ROTOR | 45 | 63394RN | | | COWL REAR 26HPE RED | 79 | 63625 | | FOAM FILTER |
| 12 | 64974 | | ROTOR FAN ATOM | 46 | 43790 | | | SCREW M5.5mm x 22 | 80 | 63626 | | WASHER 10 x 5 x 1 |
| 13 | 63559 | | KEY WOODRUFF | 47 | 63593 | | X | GASKET CYLINDER AIR | 81 | 63627 | | CARBY JET ADJ |
| 14 | 63560 | | SCREW M5 x 30 | 48 | 63594 | | | MANIFOLD CARBY | 82 | 63628 | | WASHER |
| 15 | 63561 | | LEAD WIRE | 49 | 63595 | | | SCREW & WASHER M5x31 | 84 | 65196A | | ASSY ENG 26HPEw/COVERS |
| 16 | 63562 | | LEAD WIRE | 50 | 63596 | | | GASKET MANIFOLD | 85 | 65196 | | ASSY ENG 26HPE w/o COVERS |
| 17 | 63563 | | SLEEVE | 51 | 65141 | | | ATOM CARBY 10mm VENTURI | 86 | 64220WP | | DRILL THRO HDL COVER |
| 21 | 63567 | | SEAL CRANK FLYWHEEL END | 52 | 63598 | | | ASSY CARB FILTER BODY | 90 | 64194 | | SCREW T20x19.50 |
| 24 | 63570 | | PIN WRIST | 53 | 63599 | | | CHOKE LEVER | 91 | 40650 | | SCREW M5x36 |
| 25 | 63571 | | NEEDLE BEARING | 55 | 63601 | | | CHOKE PLATE | | | | |
| 27 | 63573 | | WASHER KEEPER | 56 | 63602 | | | ST SCREW, M4 | | | | |
| 28 | 63574 | | CIRCLIP WRIST | 57 | 63603 | | | SCREW, FILTER BODY | | | | |
| 29 | 63575 | | SEAL, CRANK STARTER END | 58 | 63604GN | | | FILTER COVER GREEN | | | | |
| 30 | 63576 | | PISTON | 59 | 63605 | | | FUEL CAP ASSY | | | | |
| 31 | 63577 | | RING PISTON 1PK | 66 | 65148 | | | ASSY FUEL TANK | | | | |