

ALL PARTS LISTED BELOW ARE IN NUMERIC ORDER. MANY OLD PARTS IN STOCK OR SUBSTITUTE SHOWN PARTS. NO LONGER AVAILABLE SHOWN AS (NLA)

EARLY MODELS
WITH STRAIGHT
PINION GEAR

40860 Standard Bar 89mm width, bar slot 14.1mm
40861 Pro Bar 102mm width, bar slot 14.1mm
40862 Mini Bar 102mm width, bar slot 8mm

Sprockets

40536 .404 83mm 2Flat
40538 3/8 87mm 2Flat
40548 3/8 / 3/8LP / Pro 112 2Flat
40584 .325 109mm 2Flat
40852 .325 109mm 4Flat
40853 3/8, 3/8LP 112mm 4Flat
40854 3/8 88mm 4Flat
40855 .404 84mm 4Flat
40857 .404 109mm 4Flat
40947 SPR .404 PRO 109mm 2Flat
2 Flat fits pinion with 2 flats drive
4 Flat fits pinion with 4 flats drive

40529 (3/8 LP CHAIN) 38 Drive Links
40530 (.325 CHAIN) 43 Drive Links
40532 (.404 CHAIN) 34 Drive Links
40534 (3/8 CHAIN) 37 Drive Links
40949 (.404 CHAIN) 36 Drive Links
40950 (3/8 PRO CHAIN) 40 Drive Links

HANDLE ASSY
INCLUDING HANDLE
GRIPS, RUBBERS,
SCREWS, etc
P/N40632A

ASSY, COLLAR
SCREW & KEY
P/N 64243

CURRENT MODELS
FITTED WITH SPIRAL CUT GEARS

ALL EARLY MODELS UP
TO AND INCLUDING 6100
& 6200 WITH STRAIGHT
GEAR TEETH

FOR FURTHER INFORMATION
ON BARS, CHAINS SELECTION
please scroll down to page below

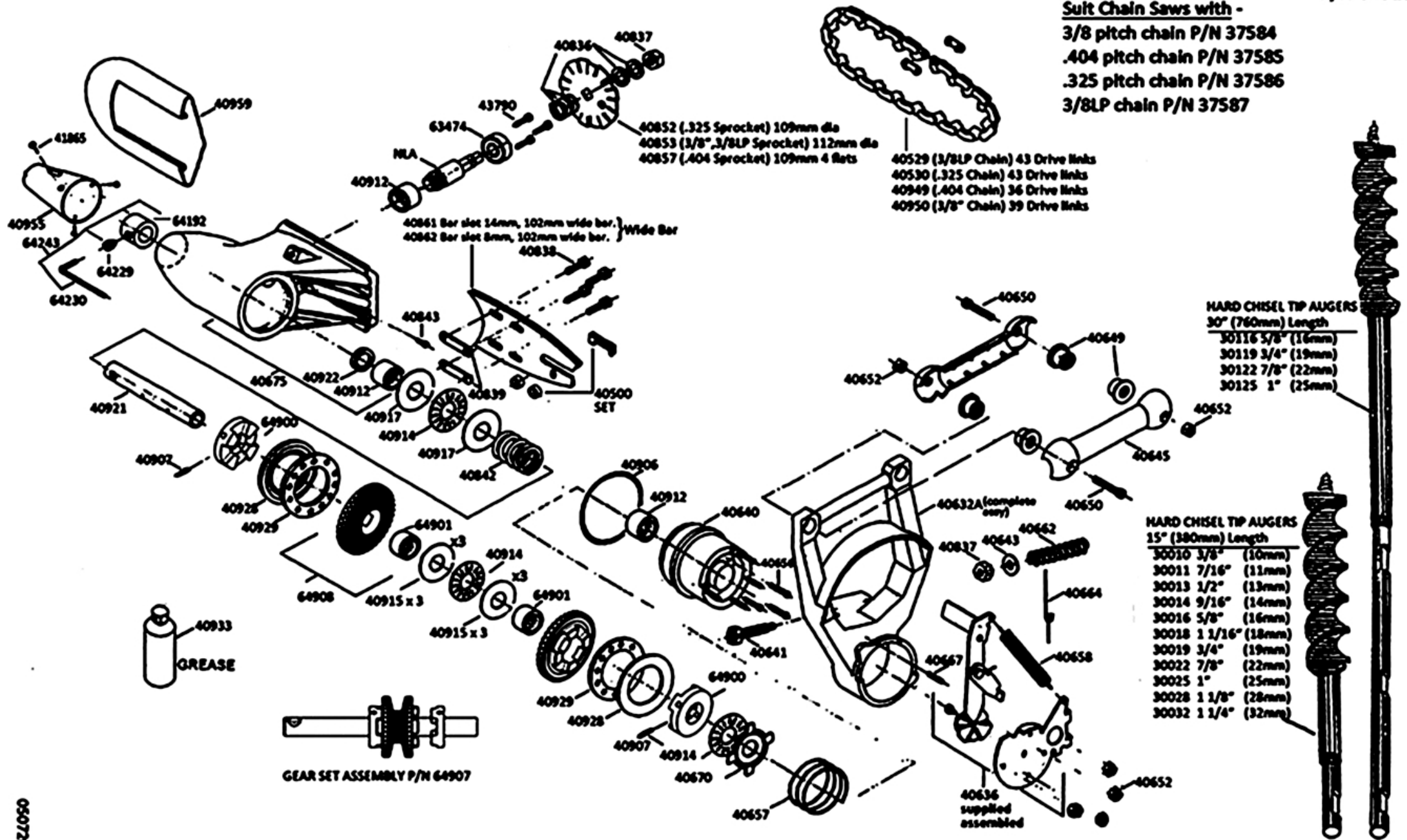
FOR INFORMATION ON
service and frequently asked
questions on Drill Attachments
use and service; wood augers, how to
sharpen, etc go to
DEALERS INFO & FAQ

PARTS LISTS BELOW SHOW SUBSTITUTE PARTS OR (NLA) No Longer Available where applicable.

ATOM DRILL ATTACHMENT AUGER-STOP PROFESSIONAL MODEL 7500

P/N 64915

Suit Chain Saws with -
 3/8 pitch chain P/N 37584
 .404 pitch chain P/N 37585
 .325 pitch chain P/N 37586
 3/8LP chain P/N 37587



ATOM PRODUCT: DRILL ATTACHMENT

REF: 800

Key	Part No	Substitute Part No	NLA	Description	Key	Part No	Substitute Part No	NLA	Description	Key	Part No	Substitute Part No	Description
1	40499	40500		BAR SPACE SET 8/16mm	64	40829	40912		BEAR 20x12mm	112	40923	40842	SPRING
2	40500			BAR SPACE SET 8/16mm	65	40830	40912		BEAR 20x12mm	113	40924	64243	ASSY COLLAR/SCREW/KEY
3	40501	64243		ASSY COLLAR/SCREW/KEY	66	40831			SEAL OIL 20x29x4mm	114	40927		PLATE 1/4 CAPTIVE NUT
4	40502	64243		ASSY COLLAR/SCREW/KEY	67	40832	40834		PINION ST 4F	115	40928		LGE THRUST WASHER/64mm
5	40506		X	(NLA) LEVEL	68	40833			BEARING PINION SPACER	116	40929		BEARING ASSY 64mm
6	40516			SPR NUT 7/16 UNF	69	40834			PINION 4 F ST	118	40933	43227	GREASE & DISPENSER
7	40529			CHAIN 3/8LP 38DL	70	40835	63474		BEARING 32x10x12	121	40941	40834	PINION 4F STD
8	40530			CHAIN .325 43DL	71	40836			WASHER SPACER 2.1mm	124	40947	40857	SPR .404 PRO 109mm 4F
9	40532			CHAIN .404 34DL	72	40837			NUT NYLOC M10x1.25	125	40948	40860	BAR GUIDE 3/8-.404
10	40534			CHAIN 3/8 STD 37DL	73	40838			SCREW HEX 6x20mm	126	40949		CHAIN .404 PRO 36DL
11	40536	40855		SPR 404 84mm	74	40839			NUT PLATE 6mm	127	40950		CHAIN 3/8 PRO 40DL
12	40538	40854		SPR 3/8 88mm	75	40840	43914		SCREW HEX HEAD 25x6	128	40951		CONE NOSE GREEN
13	40541	40862		BAR MINI	77	40842			SPRING	129	40952	40834	PINION 4F STD
14	40542	40860		BAR 3/8-.404	79	40845	62944		NUT HEX M8x1.25	131	40956		WASHER PINION SPC 1mm
15	40548	40853		SPR 3/8 PRO LP	80	40846	43172		NUT NYLOC 3/8 UNC	132	40958		COVER SPR/CHAIN GREEN
16	40852			SPR .325 4F 109mm	83	40852			SPR .325 4F 109mm	133	40959	40958	COVER SPR/CHAIN GREEN
17	40630		X	(NLA) MINI BAR HANDLE	84	40853			SPR 3/8PRO 3/8LP 4FL	134	41847	40838	SCREW HEX 6x20mm
18	40632A			ASSY HANDLE AUG STOP	85	40854			SPR 3/8 STD 4F 88mm	135	41856		SCREW 3/4x1/4 BSW
19	40633		X	LABEL WARN FINGERS	86	40855			SPR .404 STD 4F 84mm	136	41865		SCREW ST 10mm
20	40634		X	LABEL WARN HAND	87	40857			SPR.404 PRO 4F 109mm	137	41980		TIE STRAP.325
21	40635		X	LABEL WARN CHAIN	88	40860			BAR GUIDE 3/8 404	138	41981		TIE STRAP PRESET .325
22	40636			PLATE BACK COVER ASSY	89	40861			BAR PRO SAWS 2 BAR STUDS	139	41982		TIE STRAP 3/8
24	40640		X	ASSY CAP END D/A	90	40862			BAR MINI 3/8LP-325 1 STUD	140	41983		TIE STRAP PRESET 3/8
25	40641			BOLT HANDLE ADJ M10x35	93	40903		X	(NLA)PLUG LEVEL	141	41984		TIE STRAP .404
26	40643			HANDLE ADJ WASHER	94	40904		X	(NLA)SHAFT PLUG	142	41986		TIE STRAP PRESET .404
27	40645			HANDLE GRIP BLACK	95	40905		X	(NLA)HANDLE PLUG	143	41987		TIE STRAP 3/8 LP
28	40649			HANDLE RUBBER AV	96	65164			O-RING 63x2mm	144	41988		TIE STRAP PRESET 3/8 LP
29	40650			SCREW M5x36 TORX	97	40907			ROLL PIN 3/16x1/2	146	43484		WASHER 22.43 x 5.94
30	40652			NUT NYLOC M5	98	40908	40912		BEARING NEEDLE 20x12mm	147	43790		SCREW M5.5x22
32	40656			ROD PUSH	99	40909			SPACER 7/8x1/2	148	43914		SCREW 25x6mm HEX HEAD
34	40657			SPRING STAR WASHER	100	40910			CIRCLIP 32mm INTERNAL	151	50136		PAWL KEEPER
35	40658			SPRING CAM ARM	101	40911			SCREW HEX 1x1/4	157	62944		NUT M8x1.25
36	40662			SPRING A/S HANDLE	102	40912			BEARING NEEDLE 20x12mm	158	63474		BEARING 32x10x12
37	40664			SPRING PAWL	103	40914			BEAR THR 20x35x2	159	64192	64243	ASSY COLLAR/SCREW/KEY
39	40667			PIN ROLL 3/16x3/4	104	40915			WASHER THRUST 20x35x1	160	64229		SCREW GRUB M12x1.25x12
40	40670			WASHER STAR THRUST	105	40916			BEARING 32x10x12.7	161	64230		KEY ALLEN 6AF x 90
46	40802	40836		SPACER WASHER 2.1mm	106	40917			WASH FRONT THRUST	162	64243		ASSY COLLAR/SCREW/KEY
47	40803	40914		BEAR THRUST 20x35x2	107	40918	40834		PINION ST 4F	164	64899		DA MACHINED CROWN GEAR
48	40804	40915		WASHER THRUST 20x35x1	109	40920			DRIVING DOG (6 TOOTH)	165	64900		DA MACHINED CLUTCH DOG
50	40806	40912		BEARING NEEDLE 20x12mm	110	40921			DA SHAFT MAIN	167	64908		DA MACHINED GEAR & BEARING
55	40811	40834		PINION 4F STD	111	40922			SEAL SHAFT 20x26x4mm				