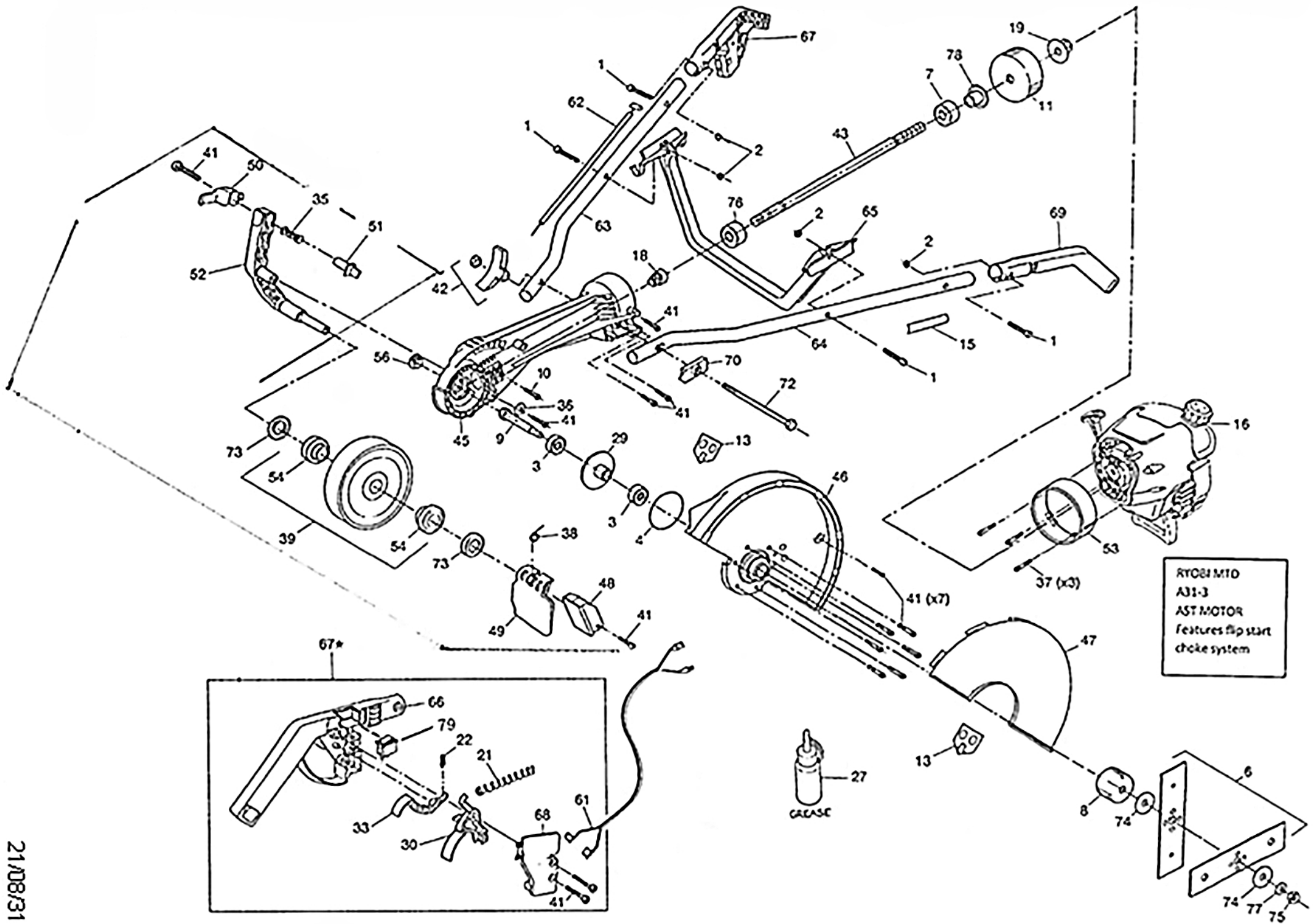


# ATOM 415AST EDGER WITH A31-2 AST RYOBI ENGINE



11/05/2022

ATOM MODEL: 415AST EDGER with A31-2 AST Ryobi engine

PART NO: 20415 -AST

Key	Part No	Substitute Part No	NLA	Description	Key	Part No	Substitute Part No	NLA	Description	Key	Part No	Substitute Part No	NLA	Description
1	40650			SCREW M5x36 TORX	41	43790			SCREW M5.5 x 22 TORX25	73	44078			SEAL LARGE WHEEL
2	40652			NUT NYLOC M5	42	44003	63488A		ASSY HANDLE KNOB+NUT	74	43116			PRO DRUM WASHER 45x12.2x2
3	43860			BEARING 32x10x12+4mm	43	44057			SHAFT MAIN 365mm (415)	75	43173			NUT M12x1.75 RH
4	40906	65164		O-RING ID 63 x 2.0mm	45	44018	63864AGN		ASSY DOM GREEN ST3	76	63474			BEARING 32x10x12
6	43089	43105		BLADE SET 10.7x1.6	46	44019			INNER COV BLADE GUARD GREEN	77	43115			WASHER BLADE BEVEL
7	43865			BEARING 37x12x12+2.5mm	47	44020			OUTER COV BLADE GUARD GREEN	78	43980	64119		HUB SINTERED 11.5mm
8	43112			DRUM BLADE	48	44022		X	LIMITER DEF DEBRIS GREEN	79	44440			SWITCH ON/OFF
9	43114	65351A		BLADE SHAFT ASSY MK3	49	44024	47004		FLAP GRASS RED					
10	44083			BEARING PINION PIN	50	44028			HANDLE HEIGHT ADJ GREEN					
11	43289			DRUM CLUTCH 67x32x12	51	44030R			PIN RED HEIGHT ADJUST					
13	43128	64378		LABEL WARN BLADE COVER	53	44059	63360RN		MOUNT ENGINE 26KZ					
15	43133	64378		LABEL WARN BLADE COVER	54	44035	63436WPK		ASSY WL+A301/410/415/550-6.5m					
17	43173			NUT M12 x 1.75 RH	56	44042	62936WN		DUST CAP EDGER					
18	43176			GEAR PINION 25.5mm LENGTH	59	21775			MANUAL ALL MODELS					
19	43163			NUT FLANGE 3/8 UNC	61	44163		X	WIRE SWITCH 415 AST					
21	43198			SPRING TRIGGER COMPRESS	62	44051			CABLE THROTTLE Z FITTING					
22	43199			SPRING SMALL	63	44060			HANDLE TUBE					
27	43227			GREASE & DISPENSER	64	44061	44060		HANDLE TUBE					
29	43245			GEAR CROWN EDGER/BUSH	65	44062	63020WE		HANDLE CROSS BRACE					
30	43288			TRIGGER THROTTLE	66	44084	63433AG	X	ASSY RH HDL 450-750 458-758					
33	43292			INTERLOCK THROTTLE	67	44190	63343AK	X	ASSY RH 410/415AST					
35	43452			SPRING HT ADJ ARM COMPR	68	44085	63433AK	X	COVER THROTTLE					
36	43484			WASHER 22.43 x 5.94 ZP	69	44070	63472WP		HANDLE LH DOMESTIC					
37	43600			SCREW MTD M4.5x18	70	44064B	63187BN		CAPTIVE PLATE 1/4 HEX BOLT					
38	43719			SPRING DEFLECTOR DEBRIS	71	44072		X	CARBY ADJUSTER FOR MTD					
39	43759	63436WPK		ASSY WL+A301/410/415/550-6.5	72	44074			BOLT HANDLE 6					

For information on the A31-2 AST Ryobi engine go to Ref 760-1 at 'Petrol Engines, Parts and Drawings'.