



MULTI INTERNATIONAL GOLD MEDALS & AWARD WINNING PRODUCTS

Other great Atom products

Australia and NZ's NO. 1 ///ATOM® LAWN EDGERS

ELECTRIC, 2-STROKE
& 4-STROKE HONDA
HOMEOWNERS &
AV PROFESSIONALS
6 MODELS



Australia and NZ's NO. 1 ///ATOM® TILLER

- EXTRA WIDE 6 TINES OR STANDARD 4 TINES
- GOOD FOR MULCHING
- LIGHT & EASY TO USE
- ELECTRIC, 2-STROKE & HONDA 4-STROKE



///ATOM® DRILLMASTER HEAVY DUTY ENGINE DRILL



- AUTOMATIC REVERSE GEAR
- 5 MODELS - 2-STROKE & HONDA 4-STROKE
- AUGERS 3/8" TO 1 1/4"

ATOM AIRLIFT® 2 & 4-STROKE BLOWER ATTACHMENTS FITTING INSTRUCTIONS

Vacuum Attachment - Page 1 & 2
Sprayer Attachment - Page 3
Roof Gutter Cleaning - Page 4
Attachment

Hand Blower Vacuum Attachment: Assembly & Operation

A. TO FIT BLOWERS WITH TUBE LOCK SCREW (AS SHOWN IN FIG.5A)

1A

PARTS REQUIRED

2 x screws
2 x cutter blades
2 x vacuum tubes.
1 x elbow, 1 x bag.

2A

If fitted, Partly unscrew front cover locking screw.

Use blade screwdriver to open air intake cover.

3A

Fix blades **tightly** with 2 screws. Note: Blades may be left permanently on Fan.

4A

Assemble two vacuum tubes together. Slide into fan housing. Lock in place.

5A

Tube Lock screw

Screw in tube lock screw when vacuum tube is in the correct position (as shown).

NOTE: DO NOT FORGET to partly unscrew tube lock screw BEFORE removing vacuum tube.

6A

BYPASS SECTION B OVERLEAF AND GO DIRECTLY TO FIG.7.

Hand Blower Vacuum Attachment: Assembly & Operation

B. TO FIT BLOWERS WITH 4 SCREW POSTS UNDER INTAKE COVER (AS SHOWN IN FIG.3B)

1x Vac tube lock disc.
4x Button Head screws
2 x screws
2 x cutter blades
2 x vacuum tubes.
1 x elbow, 1 x bag.

Parts required **1B**

Partly unscrew front cover locking screw.
Use blade screwdriver to open air intake cover.

2B

Fix blades tightly with 2 screws.
Note: Blades may be left permanently on Fan.

3B

Screw 4 button head screws into 4 screw posts.

FIT VAC TUBE
LOCK DISC COVER & TO END OF INNER TUBE
THEN FIT OUTER TUBE OVER END OF INNER TUBE

4B

FIT into fan housing
4 screw posts. Lock in place

5B

CONTINUES FROM FIG.7

Hold expanded end with groove of vacuum elbow, place other end into bottom of bag as shown.

7

Pull elbow through and outwards of bag and ensure it clamps around tube end groove (at expanded end).

8

Remove nozzle.

9

Fit vacuum elbow tube and twist.

10

Start motor lift strap.

11

Put strap over shoulder and place bag behind operator.

12

Hold unit as shown. Use full throttle trigger power (not cruise control).
NOTE: bag must be behind operator at all times.
Do not let bag or strap get close to exhaust outlet.

13

! NOTE

Avoid using vacuum in areas where stones or other large hard debris may be vacuumed into the unit. Clear these areas first, so only light debris is left to be vacuumed.

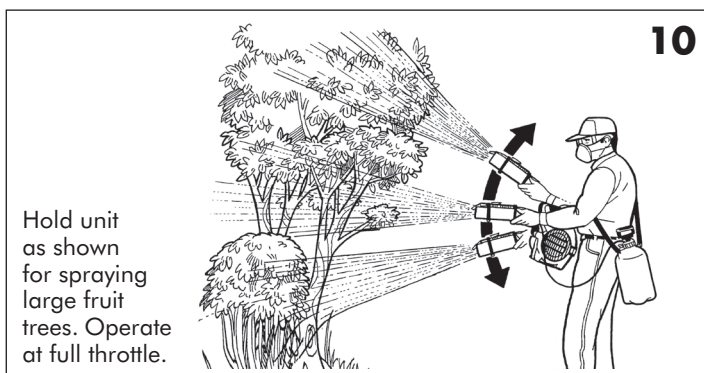
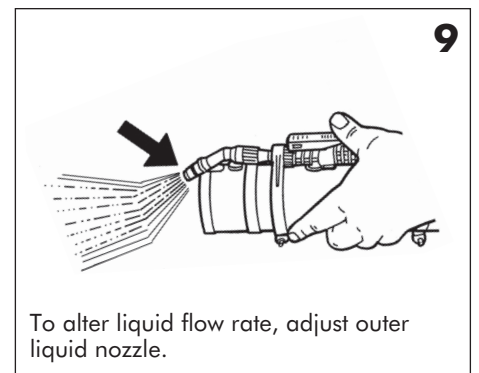
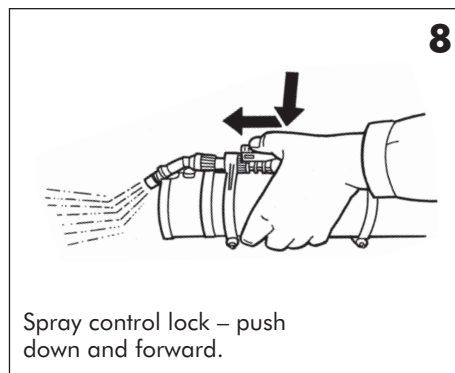
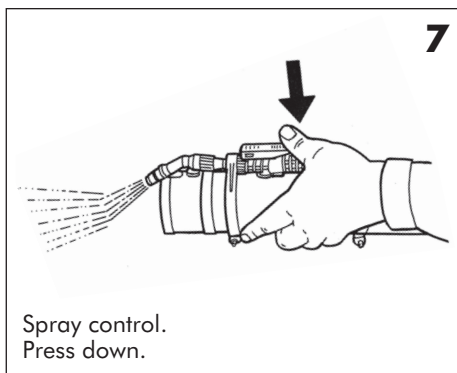
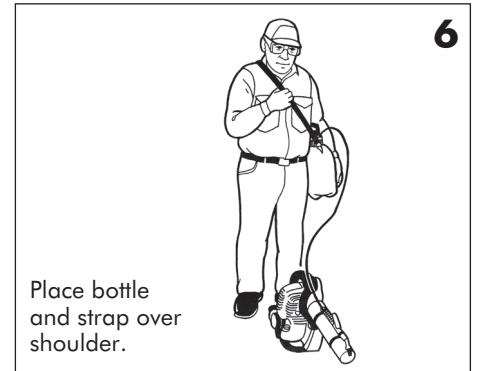
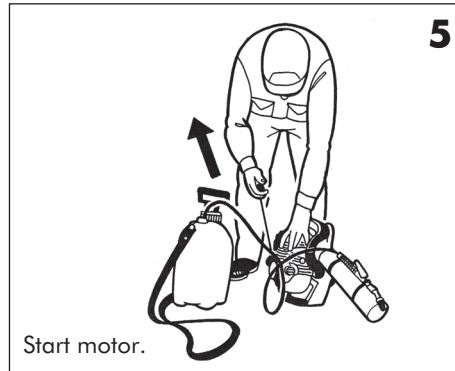
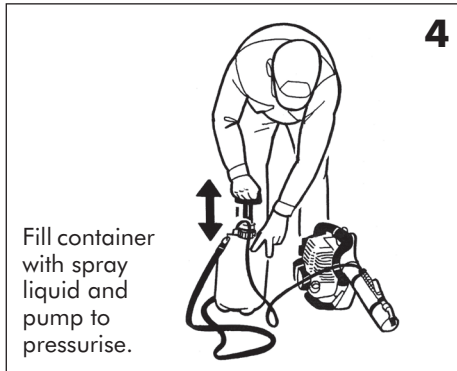
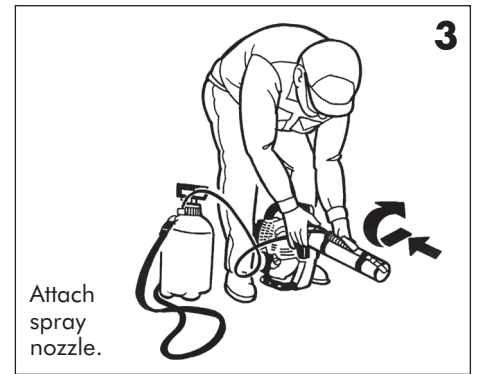
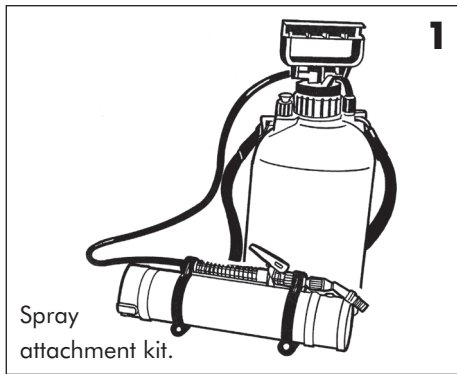
! WARNING - DANGER

DO NOT let bag get close to exhaust outlet as bag or contents could ignite.

! WARNING DO NOT vacuum wet leaves (it may be dry on top) but underneath it could be wet.

! NOTE Be aware that the unit is not designed to vacuum abrasive objects such as sand, crushed rock, stones or pebbles, muddy material, all of which will cause rapid wear of vacuum tubes and fan blades with major decrease in the vacuum or fan blowing capacity. Wear caused by long term use (especially professionally) is a normal wear and tear situation and when considerably worn parts should be replaced by operator or your servicing dealer.

Hand Blower Spray Attachment: Assembly & Operation



⚠ WARNING Wear protective clothing, goggles and mask. Spraying some types of chemicals can be hazardous to the operator and surrounding area. Use spray solutions only as directed by the manufacturer. Read the manufacturer's or supplier's instructions very carefully. If in doubt do not use before seeking further advice. Do not spray in windy conditions. Do not overspray, or allow wind drift to take spray liquids to neighbouring properties. Be care when using sprays of any type.

STORAGE & DISPOSAL

Keep out of reach of children. Store chemicals in the closed original container, in a dry cool place with the blower attachment, pressure bottle and spray nozzle assembly.

Dispose of empty containers, by wrapping in paper, placing in a sealed plastic bag and disposing of according to regulations.

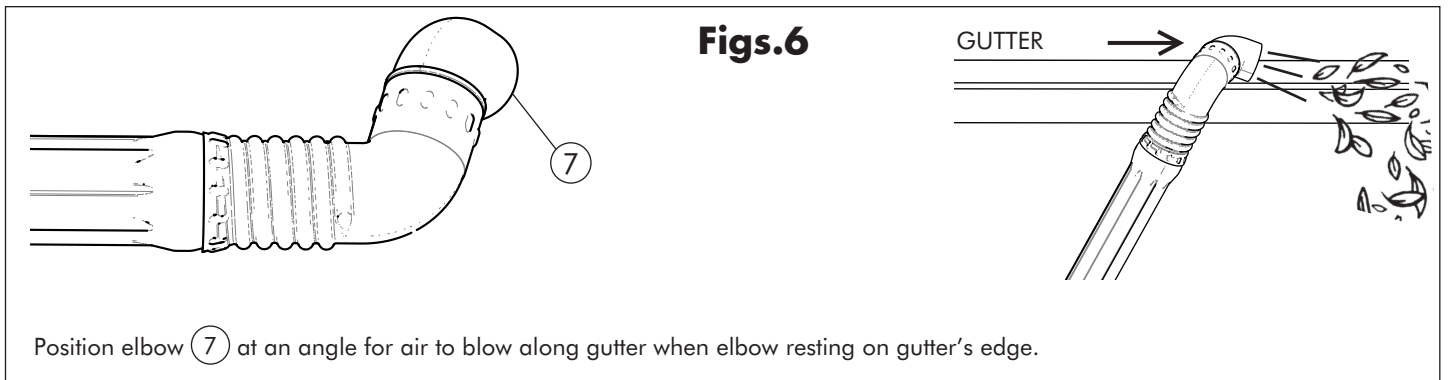
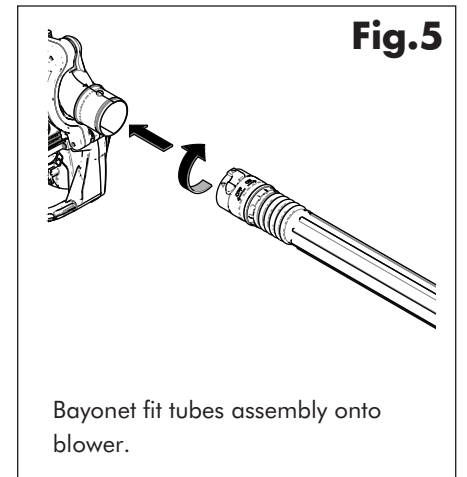
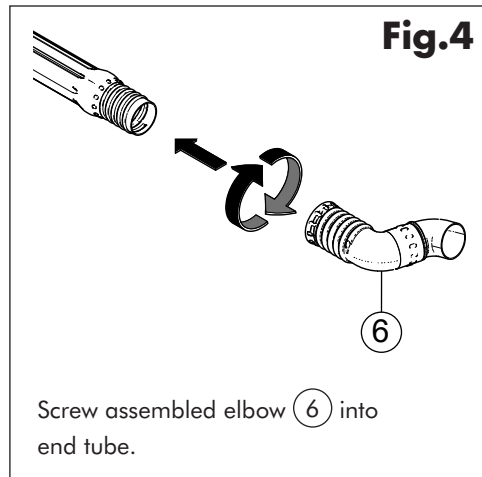
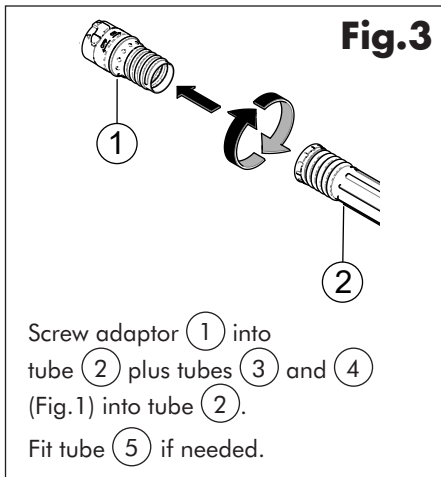
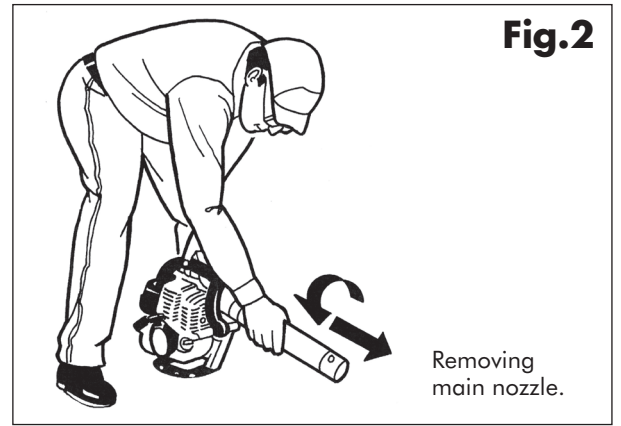
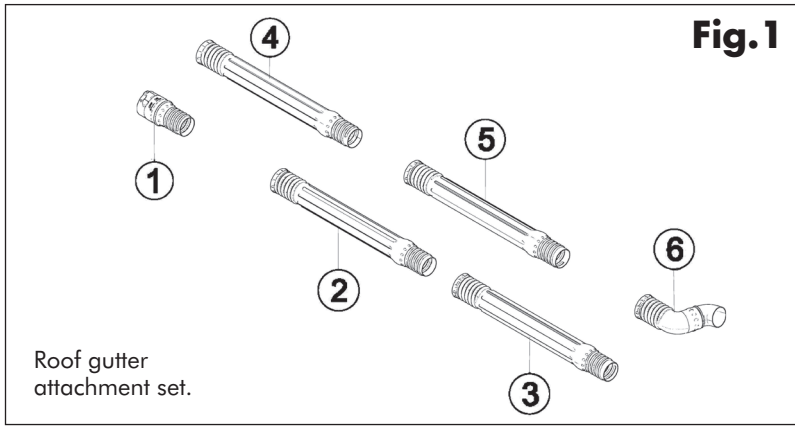
FIRST AID

If poisoning occurs contact a Doctor or Poisons Information Centre. Phone 131 126.

LIABILITY

Any chemical used for spraying must be used strictly as directed by the supplier or manufacturer. Atom Industries is not liable for loss or damage arising from failure to follow directions of use.

Hand Blower Gutter Attachment: Assembly & Operation



! NOTE

Due to working angle of fuel tank when gutter cleaning, ensure that fuel tank is full.

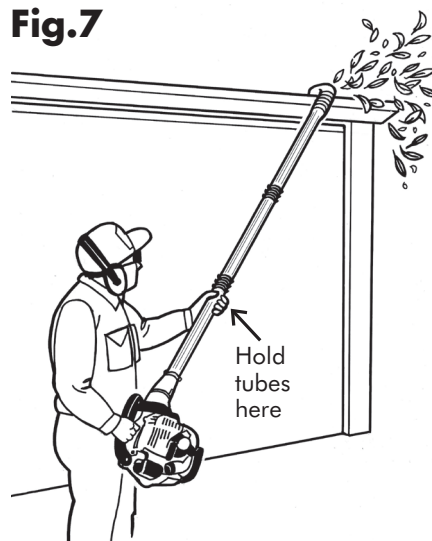
DO NOT ACCELERATE engine until sliding elbow is **RESTING** on gutter edge.

With sliding elbow resting on gutter edge, accelerate engine and **SLIDE** elbow along gutter quickly and easily.

! WARNING

DO NOT use in wet conditions and/or close to power lines.

Fig. 7



///ATOM®

Premium Technology & Unrivalled Endurance

Atom Industries is a division of Solo Industries Pty Ltd – an Australian owned company that invents, designs and manufactures unique and outstanding products for local tough and hard Australian conditions with a history of international award winning gold medals, great backup and service since 1961.

Atom products are extensively protected by many Patents, Registered Designs, Patents Pending and Shape Trade Marks.

Atom has a policy of continuous product improvement and development and reserves the right to change design and appearance of products without notice.